

### Overview

The rechargeable batteries are lead-lead dioxide systems. The dilute sulfuric acid electrolyte is absorbed by separators and plates and thus immobilized. Should the battery be accidentally overcharged producing hydrogen and oxygen, special oneway valves allow the gases to escape thus avoiding excessive pressure build-up. Otherwise, the battery is completely sealed and is, therefore, maintenance-free, leak proof and usable in any position.

### Battery Construction

Component	Positive plate	Negative plate	Container	Cover	Safety valve	Terminal	Separator	Electrolyte
Raw material	Lead dioxide	Lead	ABS	ABS	Rubber	Copper	Fiberglass	Sulfuric acid

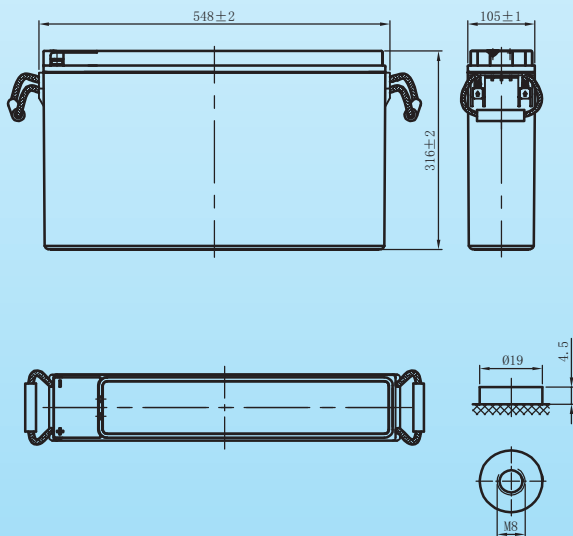
### General Features

- Absorbent Glass Mat (AGM) technology for efficient gas recombination of up to 99% and freedom from electrolyte maintenance or water adding.
- Not restricted for air transport-complies with IATA/ICAO Special Provision A67.
- UL-recognized component.
- Can be mounted in any orientation.
- Computer designed lead, calcium tin alloy grid for high power density.
- Long service life, float or cyclic applications.
- Maintenance-free operation.
- Low self discharge.
- Case and cover available in both standard and flame retardant ABS.

### Dimensions and Weight

Length(mm / inch)	548 / 22.1
Width(mm / inch)	105 / 4.13
Height(mm / inch)	316 / 12.4
Total Height(mm / inch)	316 / 12.4
Approx. Weight(Kg / lbs)	51.0 / 112

\* Weight deviation: ± 3%



### Battery Specification

Performance Characteristics	
Nominal Voltage	12V
Number of cell	6
Design Life	12years
Nominal Capacity 68°F(20°C)	
10 hour rate (12.5A, 10.8V)	125Ah
5 hour rate (23.4A, 10.5V)	117Ah
1 hour rate (89.4A, 9.6V)	89.4Ah
Internal Resistance	
Fully Charged battery 68°F(20°C)	≤4.5mOhms
Self-Discharge	
3% of capacity declined per month at 20°C(average)	
Operating Temperature Range	
Discharge	-20~60°C
Charge	-10~60°C
Storage	-20~60°C
Max. Discharge Current 68°F(20°C)	1250A(5s)
Charge Methods: Constant Voltage Charge68°F(20°C)	
Cycle use	2.40-2.45VPC
Maximum charging current	30% of rated capacity
Temperature compensation	-30mV/°C
Standby use	2.20-2.28VPC
Temperature compensation	-20mV/°C

### Discharge Constant Current (Amperes at 68°F20°C)

End Point								
Volts/Cell	20min	25min	30min	45min	1.5h	3h	5h	10h
1.60V	214	182	158	114	63.0	36.6	25.1	13.2
1.65V	202	172	152	109	61.8	35.9	24.6	13.1
1.70V	192	164	145	105	60.4	35.0	24.0	12.9
1.75V	181	156	139	103	59.1	34.3	23.4	12.8
1.80V	173	151	135	100	58.0	33.6	22.9	12.5

### Discharge Constant Power (Watts at 68°F20°C)

End Point								
Volts/Cell	20min	25min	30min	45min	1.5h	2h	3h	5h
1.60V	356	302	267	199	117	92.7	68.8	47.9
1.65V	338	293	258	190	115	89.9	67.8	47.1
1.70V	319	277	246	185	113	88.5	66.8	46.0
1.75V	302	266	237	182	110	87.1	65.8	45.6
1.80V	284	248	226	176	108	85.8	64.6	44.9

(Note)The above characteristics data are average values obtained within three charge/discharge cycles not the minimum values.All data shall be changed without notice, Vision reserves the right to explain and update the information contained hereinto.



**VISION GROUP**  
Shenzhen Center Power  
Tech.Co.Ltd.,

# CTA12-125X

12V 125Ah(10hr)

