



VISION GROUP
Shenzhen Center Power
Tech.Co.Ltd.,

CG12-150XA

12V 150Ah

Overview

The rechargeable batteries are lead-lead dioxide systems. The dilute sulfuric acid electrolyte is absorbed by separators and plates and thus immobilized. Should the battery be accidentally overcharged producing hydrogen and oxygen, special oneway valves allow the gases to escape thus avoiding excessive pressure build-up. Otherwise, the battery is completely sealed and is, therefore, maintenance-free, leak proof and usable in any position.

Battery Construction

Component	Positive plate	Negative plate	Container	Cover	Safety valve	Terminal	Separator	Electrolyte
Raw material	Lead dioxide	Lead	ABS	ABS	Rubber	Copper	Fiberglass	Gelled acid

General Features

- Micro millimeter SiO₂ and H₂SO₄ gelled electrolyte technology for efficiency gas recombination of up to 99% and freedom from electrolyte maintenance or water adding
- Not restricted for air transport-complies with IATA/ICAO Special Provision A67.
- Can be mounted in any orientation.
- Computer designed lead, calcium tin alloy grid for high power density.
- Long service life, float or cyclic applications.
- Maintenance-free operation.
- Low self discharge.
- Case and cover available in both standard and flame retardant ABS.

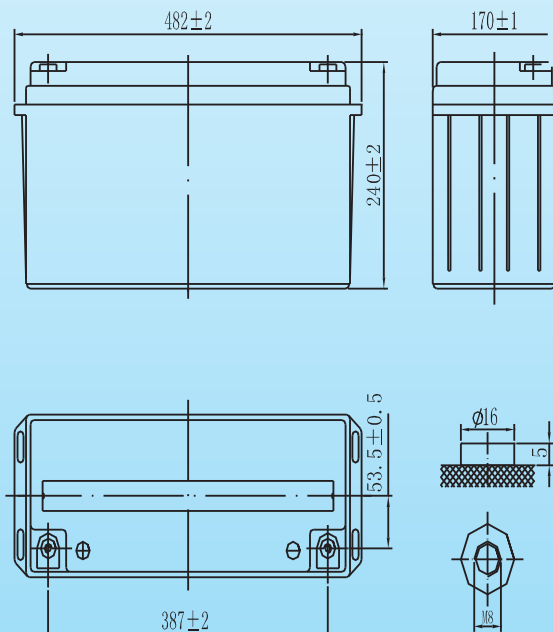
Battery Specification

Performance Characteristics	
Nominal Voltage	12V
Number of cell	6
Nominal Capacity 77°F(25°C)	
20 hour rate (8.0A, 10.5V)	160Ah
10 hour rate (15.0A, 10.8V)	150Ah
5 hour rate (24.0A, 10.5V)	120Ah
1 hour rate (104A, 9.6V)	104Ah
Internal Resistance	
Fully Charged battery 77°F(25°C)	≤4.5mOhms
Self-Discharge	
3% of capacity declined per month at 20°C(average)	
Operating Temperature Range	
Discharge	-20~60°C
Charge	-10~60°C
Storage	-20~60°C
Max. Discharge Current 77°F(25°C)	1000A(5s)
Short Circuit Current	2700A

Dimensions and Weight

Length(mm / inch)	482/19.0
Width(mm / inch)	170/ 6.69
Height(mm / inch)	240/9.45
Total Height(mm / inch)	240/9.45
Approx. Weight(Kg / lbs)	48.4/106.7

* Weight deviation: ± 3%



Discharge Constant Current (Amperes at 77°F25°C)

End Point									
Volts/Cell	10min	15min	30min	1h	3h	5h	10h	20h	
1.60V	332	278	153	104	39.0	26.0	16.4	8.60	
1.65V	316	265	147	100	37.6	25.6	16.1	8.40	
1.70V	300	252	141	96.7	36.4	24.7	15.8	8.20	
1.75V	283	240	134	92.1	35.2	24.0	15.4	8.00	
1.80V	266	226	127	87.6	33.4	23.2	15.0	7.80	

Discharge Constant Power (Watts at 77°F25°C)

End Point									
Volts/Cell	10min	15min	30min	45min	1h	2h	3h	5h	
1.60V	563	473	292	233	194	104	74.2	50.1	
1.65V	544	458	285	228	190	102	72.8	49.7	
1.70V	523	443	277	222	186	99.8	71.4	49.3	
1.75V	503	427	268	215	180	97.8	70.2	48.6	
1.80V	480	409	258	207	174	94.3	67.7	47.8	

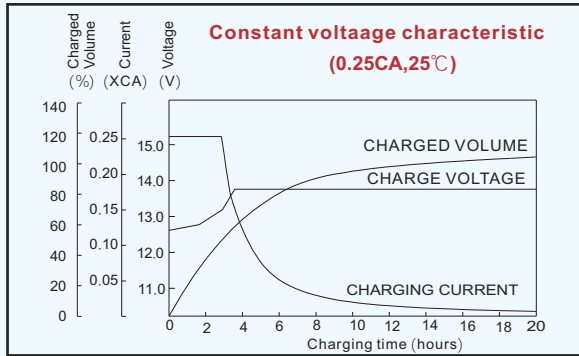
(Note)The above characteristics data are average values obtained within three charge/discharge cycles not the minimum values.All data shall be changed without notice, Vision reserves the right to explain and update the information contained hereinto.



VISION GROUP
Shenzhen Center Power
Tech.Co.Ltd.,

CG12-150XA

12V 150Ah



CHARGING METHODS: Constant voltage charging at 25°C
 Standby use: No charging current limit is required
 Charging voltage: 2.20--2.30VPC
 Cyclic use: Maximum charging current: 30% of rated capacity
 Charging voltage: 2.40--2.45VPC
 Temperature compensation :
 stand by - 20mV/°C
 cyclic use -30mV/°C

