

Overview

The rechargeable batteries are lead-lead dioxide systems. The dilute sulfuric acid electrolyte is absorbed by separators and plates and thus immobilized. Should the battery be accidentally overcharged producing hydrogen and oxygen, special oneway valves allow the gases to escape thus avoiding excessive pressure build-up. Otherwise, the battery is completely sealed and is, therefore, maintenance-free, leak proof and usable in any position.

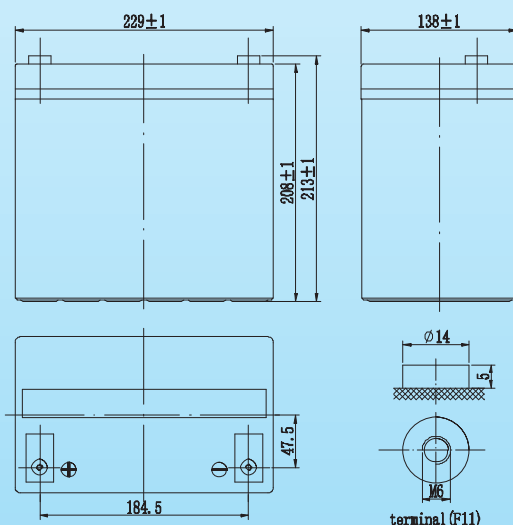
General Features

- Positive and negative plates in lead-calcium tin alloy;
- Superior energy density;
- Operates at a low internal pressure;
- Gas Recombination;
- Usable in any orientation;
- A recognized component of UL;
- Very high power output;
- Application specific designs;
- A couple Range from 13W to 890W per cell for 10'@1.60Vpc;
- Six months shelf life at 20°C;
- Design life 10 years.

Dimensions and Weight

Length(mm / inch)	229 / 9.02
Width(mm / inch)	138 / 5.43
Height(mm / inch)	208 / 8.19
Total Height(mm / inch)	213 / 8.39
Approx. Weight(Kg / lbs)	17.2 / 37.9

* Weight deviation: $\pm 5\%$



Battery Specification

Performance Characteristics	
Nominal Voltage	12V
Number of cell	6
Design Life	10 years
Nominal Capacity 77°F(25°C)	
10 min wattage @1.6V	260W/cell
20 hour rate (2.90A, 10.5V)	58.0Ah
10hour rate (5.50A, 10.8V)	55.0Ah
Internal Resistance	
Fully Charged battery 77°F(25°C)	≤ 5.8 mOhms
Self-Discharge	
3% of capacity declined per month at 20°C (average)	
Operating Temperature Range	
Discharge	-20~60°C
Charge	-10~60°C
Storage	-20~60°C
Max. Discharge Current 77°F(25°C)	
550A(5s)	
Charge Methods: Constant Voltage Charge 77°F(25°C)	
Cycle use	2.40-2.45VPC
Maximum charging current	16.5A
Temperature compensation	-30mV/°C
Standby use	2.20-2.30VPC
Temperature compensation	-20mV/°C

Discharge Constant Current (Amperes at 77°F25°C)

End Point						
Volts/Cell	5min	10min	15min	30min	45min	60min
1.60V	189	144	113	73.1	54.0	43.5
1.65V	178	136	107	69.3	51.4	41.5
1.70V	167	128	102	65.6	48.8	39.5
1.75V	155	120	95.9	61.8	46.2	37.5
1.80V	149	115	92.6	60.2	45.0	36.6

Discharge Constant Power (Watts at 77°F25°C)

End Point						
Volts/Cell	5min	10min	15min	30min	45min	60min
1.60V	352	260	202	124	94.3	76.5
1.65V	337	250	194	120	91.0	74.4
1.70V	322	241	187	116	88.6	72.3
1.75V	307	231	180	112	85.3	70.2
1.80V	292	221	173	108	82.9	68.1

(Note) The above characteristics data are average values obtained within three charge/discharge cycles not the minimum values. All data shall be changed without notice, Vision reserves the right to explain and update the information contained hereinto.



VISION GROUP
Shenzhen Center Power
Tech.Co.Ltd.,

HF12-260W-X

12V 55Ah

